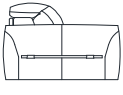
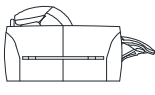
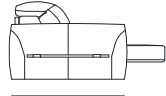
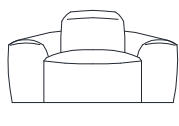




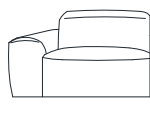
TECHNICAL DATA SHEET		MOD.	ALCOR
83/103			SEAT H. 46 CM
	114	165	SEAT D. 58 CM
			ARM H. 58 CM
		154	ARM W. 30 CM

cod. 100  
ARMCHAIR



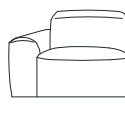
132

cod. 126-128  
ARMCHAIR RAF/LAF  
FIT TO 3STR



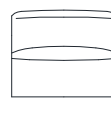
125

cod. 12-123  
ARMCHAIR RAF/LAF  
FIT TO 2STR



102

cod. 127  
ARMLESS CHAIR FIT  
TO 3STR



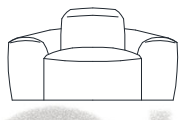
95

cod. 122  
ARMLESS CHAIR FIT  
TO 2STR



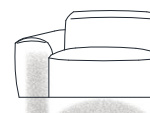
72

cod. 160  
RELAX ARMCHAIR



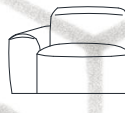
132

cod. 168-169  
RELAX ARMCHAIR  
RAF/LAF FIT TO 3STR



125

cod. 162-164  
RELAX ARMCHAIR RAF/LAF  
FIT TO 2STR



102

cod. 167  
RELAX ARMLESS CHAIR  
FIT TO 3STR



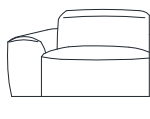
95

cod. 163  
RELAX ARMLESS CHAIR  
FIT TO 2STR



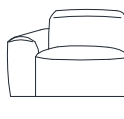
72

cod. 115-135  
ARMCHAIR RAF/LAF FIT TO  
3STR W/SLIDING SEAT



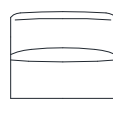
125

cod. 145-165  
ARMCHAIR RAF/LAF FIT TO 2STR  
W/SLIDING SEAT



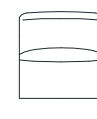
102

cod. 125  
ARMLESS CHAIR FIT TO 3STR  
W/SLIDING SEAT



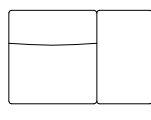
95

cod. 155  
ARMLESS CHAIR FIT TO 3STR  
W/SLIDING SEAT



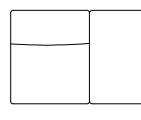
72

cod. 910-911  
TERM ARMCHAIR



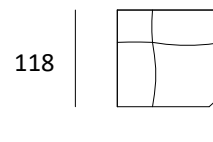
155

cod. 181-183  
TERM ARMCHAIR  
FIT TO 2STR



132

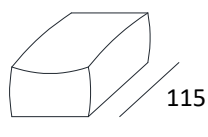
cod. 550  
SQUARED CORNER



118

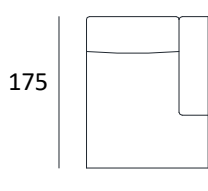
118

cod. 086  
FOOSTOOL 115X64



64

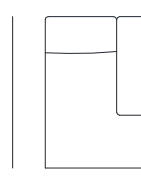
cod. 501-502  
C.L FIT TO 3STR



175

125

cod. 504-505  
C.L FIT TO 2STR



175

102

**AVAILABLE COVER**

AS PER CUBOROSSO SWATCHES

**STRUCTURE**

WOODEN STRUCTURE IN MULTI-LAYER FIR, FIBERBOARD AND CHIPBOARD

**INSIDE**

SEAT	BACK	ARMS
POLYURETHANE	POLYURETHANE	POLYURETHANE
DENSITY 35 x KG		

**BELTS SYSTEM**

SEAT	NOSAG SPRINGS	
BACK	CHIPBOARD	

FEET

PLASTIC FEET H.4 CM

**FEATURES**

RATCHET SYSTEM HEADREST

**OPTIONALS****NOTES**